

BASIC

Ball valve with locking device

Double function locking device ball valve for water



art. S.1364

ADVANTAGES

Safe locking device. Practical and rapid arrearage system which replaces the laborious fixing through the traditional wire-leading ("Arrearage" indicates that it is possible for the person in charge of the system to prevent the user from opening the valve). Two grey keys are given to the user together with the valve. One master key is hold by the person in charge of the system, which suits all the locks and can be used in case of arrearage. It is a yellow key and can be given only after it has been requested.

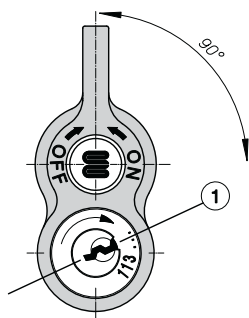
The same yellow key can be used for 100 different combinations.

UTILISATION

Distribution systems, water supply storage tanks, or other fluids you want to prevent from free public use.

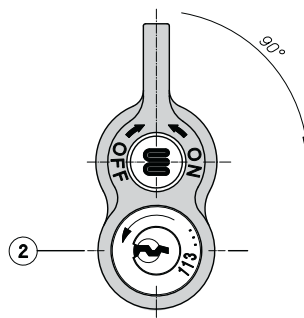
The locking device is assembled in the valves of the BASIC range, which are suitable both for water and other compatible fluids.

NORMAL POSITION



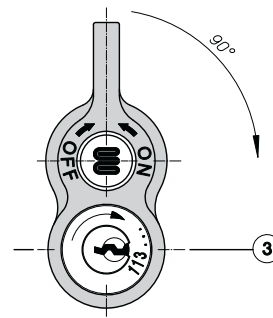
1- When the key is in this position, the valve works normally ON-OFF and the key itself CANNOT be taken away.

LOCKING POSITION DECIDED BY THE USER



2- When the key is in this position, the valve can be locked in the OFF position and the key CAN be taken away.

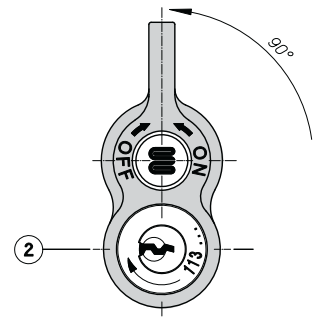
ARREARAGE POSITION



POSITION POSSIBLE ONLY WITH THE MASTER KEY

3- When the key is in this position, the valve can be locked in the OFF position and CANNOT be opened with the user's key (Yellow key hold by person in charge of the system).

RETURN TO THE NORMAL POSITION

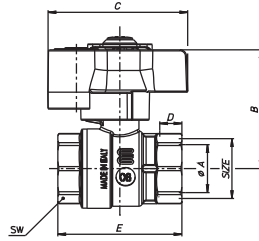


4- When the key has been put in this position again by the supplier, the valve can work normally.

BASIC

Ball valve with locking device

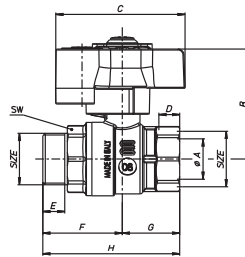
Art. S.1361 BASIC



Full bore ball valve, with locking device, female/female, nickel-plated.

SIZE	1/2"	3/4"	1"						
A mm	15	20	25						
B mm	53,5	56	60						
C mm	66	66	66						
D mm	9,5	11	12,5						
E mm	49	58,5	70						
SW mm	25	31	38						

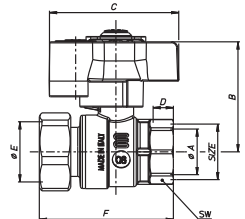
Art. S.1362 BASIC



Full bore ball valve, with locking device, male/female, nickel-plated.

SIZE	1/2"	3/4"	1"						
A mm	15	20	25						
B mm	53,5	56	60						
C mm	66	66	66						
D mm	9,5	11	12,5						
E mm	9,7	10,7	11,7						
F mm	35	40,5	44,5						
G mm	24,5	29,5	35						
H mm	59,5	70	79,5						
SW mm	25	31	38						

Art. S.1364 BASIC



Full bore ball valve, with locking device, female/nut, nickel-plated.

SIZE	1/2"	3/4"	1"						
øA bore	15	20	25						
B mm	53,5	56	60						
C mm	66	66	66						
D mm	9,5	11	12,5						
E	3/4"	1"	1 1/4"						
F mm	57	68	83						
SW mm	25	31	38						